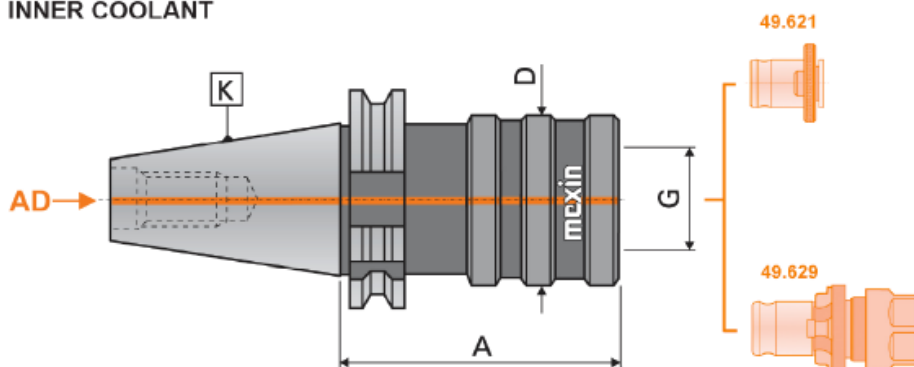




## Zhp - M630 Závitořezná pouzdra bez axiální kompenzace pro rychlovýměnný systém Bilz

PŘÍVOD CHLAZENÍ STŘEDEM

WITH INNER COOLANT



| REF. 11.630  | K<br>ISO | G<br>No. Ø |    |  | A<br>mm | D<br>mm |  |
|--------------|----------|------------|----|---|---------|---------|---|
| 11.630.30.12 | 30       | 1          | 19 | M 3-M 12  | 60      | 33      | 49.621.12.xx  |
| 11.630.40.12 | 40       | 1          | 19 | M 3-M 12  | 67      | 33      | 49.621.12.xx  |
| 11.630.40.20 |          | 2          | 31 | M 8-M 20  | 90      | 50      | 49.621.20.xx  |
| 11.630.40.33 |          | 3          | 48 | M 14-M 33   | 117     | 72      | 49.621.33.xx  |
| 11.630.50.12 | 50       | 1          | 19 | M 3-M 12  | 78      | 33      | 49.621.12.xx  |
| 11.630.50.20 |          | 2          | 31 | M 8-M 20  | 101     | 50      | 49.621.20.xx  |
| 11.630.50.33 |          | 3          | 48 | M 14-M 33   | 125     | 72      | 49.621.33.xx  |

### Popis funkce:

Pouzdra jsou určena pro upínání rychlovýměnných koncovek, do kterých se upínají závitníky. Jedná se o tyto koncovky:

49.621 – bez bezpečnostní spojky

49.629 – bez bezpečnostní spojky s ocelovou kleštinou ER 16 DIN 6499

Výměna koncovky se provede stlačením vroubkované převlečné objímky na pouzdru o plnou délku, vložením koncovky do otvoru pouzdra a uvolněním objímky.

Závitořezné pouzdro Zhp M630 je určeno pro potřebu tvrdého zařízení závitníku. Pouzdro M620 je možno využít pro řezání pravočodých i levočodých závitů za podmínky, že vřeteno stroje má oba směry otáčení.

Pouzdro je průchozí pro průtok chladicí kapaliny.





Další naše produkty naleznete na <http://www.narexmte.cz>



**NAREX MTE s.r.o.**, Moskevská 63, CZ-10100  
Praha 10, Czech Republic  
Tel: +420 246 002 249, 246 002 321, 246 002 333  
Fax: +420 246 002 335, 246 002 343  
E-mail: [obchod@narexmte.cz](mailto:obchod@narexmte.cz)

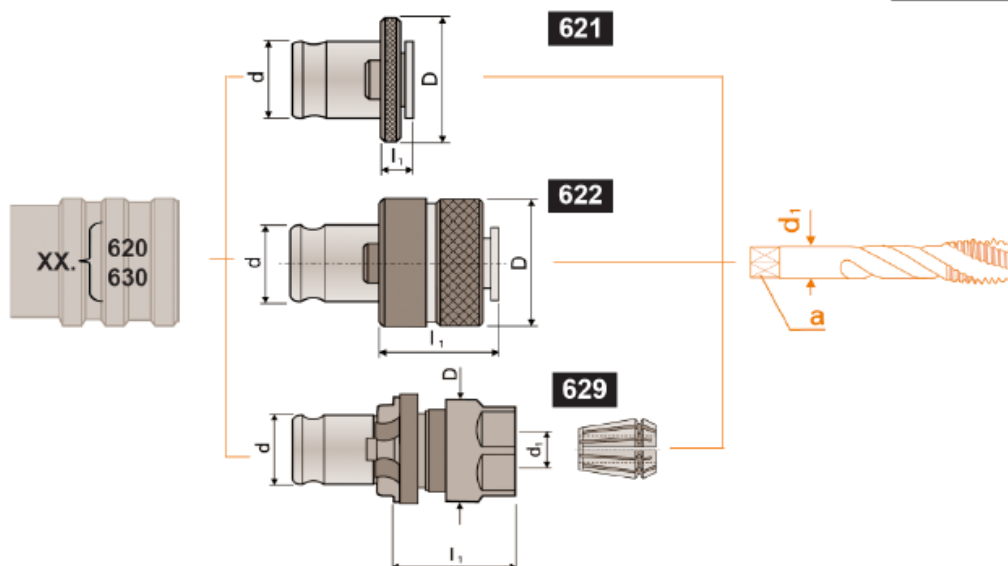


**RYCHLOVÝMĚNNÉ KONCOVKY**  
s bezpečnostní spojkou (622) a bez spojky (621, 629)

QUICK CHANGE ADAPTERS WITH AND WITHOUT OVERLOAD CLUTCH

**BILZ SYSTEM**

**49.621/629**



| 49.621.12    |                           |       |
|--------------|---------------------------|-------|
| d = 19 mm    | l <sub>1</sub> = 7 mm     |       |
| D = 30 mm    |                           |       |
| REF.         | DIN d <sub>1</sub> x a mm |       |
| 49.621.12.02 | 2,8                       | x 2,1 |
| 49.621.12.03 | 3,5                       | x 2,7 |
| 49.621.12.04 | 4                         | x 3   |
| 49.621.12.05 | 4,5                       | x 3,4 |
| 49.621.12.06 | 5,5                       | x 3,4 |
| 49.621.12.07 | 6                         | x 4,9 |
| 49.621.12.08 | 7                         | x 5,5 |
| 49.621.12.09 | 8                         | x 6,2 |
| 49.621.12.10 | 9                         | x 7   |
| 49.621.12.11 | 10                        | x 8   |
| 49.621.12.12 | 11                        | x 9   |
| 49.621.12.13 | 12                        | x 9   |

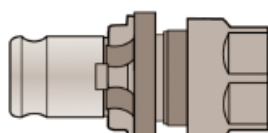
| 49.621.20    |                           |        |
|--------------|---------------------------|--------|
| d = 31 mm    | l <sub>1</sub> = 11 mm    |        |
| D = 48 mm    |                           |        |
| REF.         | DIN d <sub>1</sub> x a mm |        |
| 49.621.20.07 | 6                         | x 4,9  |
| 49.621.20.08 | 7                         | x 5,5  |
| 49.621.20.09 | 8                         | x 6,2  |
| 49.621.20.10 | 9                         | x 7    |
| 49.621.20.11 | 10                        | x 8    |
| 49.621.20.12 | 11                        | x 9    |
| 49.621.20.13 | 12                        | x 9    |
| 49.621.20.14 | 14                        | x 11   |
| 49.621.20.15 | 16                        | x 12   |
| 49.621.20.16 | 18                        | x 14,5 |
| 49.621.20.17 | 20                        | x 16   |
| 49.621.20.18 | 22                        | x 18   |

| 49.621.33    |                           |        |
|--------------|---------------------------|--------|
| d = 48 mm    | l <sub>1</sub> = 14 mm    |        |
| D = 70 mm    |                           |        |
| REF.         | DIN d <sub>1</sub> x a mm |        |
| 49.621.33.12 | 11                        | x 9    |
| 49.621.33.13 | 12                        | x 9    |
| 49.621.33.14 | 14                        | x 11   |
| 49.621.33.15 | 16                        | x 12   |
| 49.621.33.16 | 18                        | x 14,5 |
| 49.621.33.17 | 20                        | x 16   |
| 49.621.33.18 | 22                        | x 18   |
| 49.621.33.19 | 25                        | x 20   |
| 49.621.33.20 | 28                        | x 22   |
| 49.621.33.21 | 32                        | x 24   |
| 49.621.33.22 | 36                        | x 29   |

| 49.622.12    |                           |       |
|--------------|---------------------------|-------|
| d = 19 mm    | l <sub>1</sub> = 25 mm    |       |
| D = 32 mm    |                           |       |
| REF.         | DIN d <sub>1</sub> x a mm |       |
| 49.622.12.02 | 2,8                       | x 2,1 |
| 49.622.12.03 | 3,5                       | x 2,7 |
| 49.622.12.04 | 4                         | x 3   |
| 49.622.12.05 | 4,5                       | x 3,4 |
| 49.622.12.06 | 5,5                       | x 3,4 |
| 49.622.12.07 | 6                         | x 4,9 |
| 49.622.12.08 | 7                         | x 5,5 |
| 49.622.12.09 | 8                         | x 6,2 |
| 49.622.12.10 | 9                         | x 7   |
| 49.622.12.11 | 10                        | x 8   |
| 49.622.12.12 | 11                        | x 9   |
| 49.622.12.13 | 12                        | x 9   |

| 49.622.20    |                           |        |
|--------------|---------------------------|--------|
| d = 31 mm    | l <sub>1</sub> = 34 mm    |        |
| D = 50 mm    |                           |        |
| REF.         | DIN d <sub>1</sub> x a mm |        |
| 49.622.20.07 | 6                         | x 4,9  |
| 49.622.20.08 | 7                         | x 5,5  |
| 49.622.20.09 | 8                         | x 6,2  |
| 49.622.20.10 | 9                         | x 7    |
| 49.622.20.11 | 10                        | x 8    |
| 49.622.20.12 | 11                        | x 9    |
| 49.622.20.13 | 12                        | x 9    |
| 49.622.20.14 | 14                        | x 11   |
| 49.622.20.15 | 16                        | x 12   |
| 49.622.20.16 | 18                        | x 14,5 |
| 49.622.20.17 | 20                        | x 16   |
| 49.622.20.18 | 22                        | x 18   |

| 49.622.33    |                           |        |
|--------------|---------------------------|--------|
| d = 48 mm    | l <sub>1</sub> = 45 mm    |        |
| D = 72 mm    |                           |        |
| REF.         | DIN d <sub>1</sub> x a mm |        |
| 49.622.33.10 | 9                         | x 7    |
| 49.622.33.12 | 11                        | x 9    |
| 49.622.33.13 | 12                        | x 9    |
| 49.622.33.14 | 14                        | x 11   |
| 49.622.33.15 | 16                        | x 12   |
| 49.622.33.16 | 18                        | x 14,5 |
| 49.622.33.17 | 20                        | x 16   |
| 49.622.33.18 | 22                        | x 18   |
| 49.622.33.19 | 25                        | x 20   |
| 49.622.33.20 | 28                        | x 22   |
| 49.622.33.21 | 32                        | x 24   |
| 49.622.33.22 | 36                        | x 29   |



| 49.629.19.12 |                        |        |
|--------------|------------------------|--------|
| d = 19 mm    | l <sub>1</sub> = 29 mm |        |
| D = 28 mm    |                        |        |
| REF.         |                        |        |
| 49.629.19.12 | ER 16                  | M2-M10 |

| 49.629.31.20 |                        |        |
|--------------|------------------------|--------|
| d = 31 mm    | l <sub>1</sub> = 38 mm |        |
| D = 42 mm    |                        |        |
| REF.         |                        |        |
| 49.629.19.12 | ER 16                  | M2-M10 |



TABULKA RYCHLOVÝMĚNNÝCH KONCOVEK  
SELECTION TABLE OF TAP ADAPTERS

BILZ SYSTEM

49.621/629

| "XX" | Ø X □     | DIN 352 | DIN 5156 5157 | DIN 371 | DIN 374 | DIN 376 | DIN 371   | DIN 374 376 |
|------|-----------|---------|---------------|---------|---------|---------|-----------|-------------|
| 01   | 2,5 x 2,1 | M 1/1,8 |               | M 1/1,8 | M 3,5   | M 3,5   | 1/16"     |             |
|      |           |         |               |         |         |         | Nr. 0 / 1 |             |
| 02   | 2,8 x 2,1 | M 2     |               | M 2     | M 4     | M 4     | 3/32"     |             |
|      |           | M 2,2   |               | M 2,2   |         |         | Nr. 2     |             |
|      |           | M 2,5   |               | M 2,5   |         |         | Nr. 3     |             |
| 03   | 3,5 x 2,7 | M 3     |               | M 3     | M 5     | M 5     | 1/8"      |             |
|      |           |         |               |         |         |         | Nr. 4     |             |
|      |           |         |               |         |         |         | Nr. 5     |             |
| 04   | 4 x 3     | M 3,5   |               | M 3,5   | M 5,5   | M 5,5   | Nr. 6     |             |
| 05   | 4,5 x 3,4 | M 4     |               | M 4     | M 6     | M 6     | 5/32"     |             |
|      |           |         |               |         |         |         | Nr. 8     |             |
| 06   | 5,5 x 4,3 |         |               |         | M 7     | M 7     |           |             |
| 07   | 6 x 4,9   | M 4,5   | G1/16"        | M 4,5   | M 8     | M 8     | Nr.10/12  |             |
|      |           | M 5     |               | M 5     |         |         | 3/16"     | 1/4"        |
|      |           | M 6     |               | M 6     |         |         | 7/32"     | 5/16"       |
|      |           | M 7     |               |         |         |         |           |             |
|      |           | M 8     |               |         |         |         |           |             |
| 08   | 7 x 5,5   | M 10    | G 1/8"        | M 7     | M10     | M 10    | 1/4"      | 3/8"        |
| 09   | 8 x 6,2   | M 11    |               | M 8     | M 11    | M 11    | 5/16"     | 7/16"       |
| 10   | 9 x 7     | M 12    |               | M 9     | M12     | M 12    | 3/8"      | 1/2"        |
| 11   | 10 x 8    |         |               | M10     |         |         |           |             |
| 12   | 11 x 9    | M 14    | G 1/4"        |         | M14     | M 14    | 9/16"     |             |
| 13   | 12 x 9    | M 16    | G 3/8"        |         | M16     | M 16    | 5/8"      |             |
| 14   | 14 x 11   | M 18    |               |         | M18     | M 18    | 11/16"    |             |
|      |           |         |               |         |         |         |           | 3/4"        |
| 15   | 16 x 12   | M 20    | G 1/2"        |         | M20     | M 20    | 13/16"    |             |
| 16   | 18 x 14,5 | M 22    | G 5/8"        |         | M22     | M 22    | 7/8"      |             |
|      |           | M 24    |               |         | M24     | M 24    | 15/16"    |             |
| 17   | 20 x 16   | M 27    | G 3/4"        |         | M27     | M 27    | 1"        |             |
| 18   | 22 x 18   | M 30    | G 7/8         |         | M30     | M 30    | 1.1/8"    |             |
| 19   | 25 x 20   | M 33    | G1"           |         | M33     | M 33    | 1.1/4"    |             |
| 20   | 28 x 22   | M 36    | G1.1/8"       |         | M36     | M 36    | 1.3/8"    |             |
| 21   | 32 x 24   | M 39    | G1.1/4"       |         | M39     | M 39    | 1.1/2"    |             |
|      |           | M 42    |               |         | M42     | M 42    | 1.5/8"    |             |
| 22   | 36 x 29   | M 45    | G1.3/8"       |         | M45     | M 45    | 1.3/4"    |             |
|      |           | M 48    | G1.1/2"       |         | M48     | M 48    |           | 1.7/8"      |



**TABULKA RYCHLOVÝMĚNNÝCH KONCOVEK**  
SELECTION TABLE OF TAP ADAPTERS

**BILZ SYSTEM**

**DIN**

A = REDUKOVANÁ STOPKA / REDUCED SHANK

B = ZESÍLENÁ STOPKA / REINFORCED SHANK

| "XX" | ø x □      | M - MF |          | UNC - UNF |       | BSW - BSF |      | BA    |
|------|------------|--------|----------|-----------|-------|-----------|------|-------|
|      |            | A      | B        | A         | B     | A         | B    | A     |
| 30   | 2,24 x 1,8 | M 3    |          | Nr. 5     |       | 1/8       |      |       |
| 31   | 2,5 x 2    | M 3,5  | M 1,0/ 2 | Nr. 6     | Nr. 0 |           |      | Nr.11 |
|      |            |        |          |           | Nr. 1 |           |      | Nr.10 |
|      |            |        |          |           |       |           |      | Nr. 9 |
| 32   | 2,8 x 2,24 |        | M 2,2    |           | Nr. 2 |           |      | Nr. 8 |
|      |            |        | M 2,5    |           | Nr. 3 |           |      | Nr. 7 |
|      |            |        |          |           |       |           |      | Nr. 6 |
| 33   | 3,15 x 2,5 | M 4    | M 3      |           | Nr. 4 |           | 1/8  | Nr. 5 |
|      |            |        |          | Nr. 8     | Nr. 5 |           |      |       |
| 34   | 3,55 x 2,8 | M 4,5  | M 3,5    | Nr.10     | Nr. 6 | 3/16      |      | Nr. 4 |
| 35   | 4 x 3,15   | M 5    | M 4      | Nr.12     |       | 7/32      |      |       |
| 36   | 4,5 x 3,55 | M 6    | M 4,5    | 1/4       | Nr. 8 | 1/4       |      | Nr. 3 |
| 37   | 5 x 4      |        | M 5      |           | Nr.10 |           | 3/16 | Nr. 2 |
| 38   | 5,6 x 4,5  | M 7    |          |           | Nr.12 | 9/32      | 7/32 | Nr. 1 |
| 39   | 6,3 x 5    | M 8    | M 6      | 5/16      | 1/4   | 5/16      | 1/4  | Nr. 0 |
| 40   | 7,1 x 5,6  | M 9    | M 7      | 3/8       |       | 3/8       | 9/32 |       |
| 41   | 8 x 6,3    | M10    | M 8      | 7/16      | 5/16  | 7/16      | 5/16 |       |
| 42   | 9 x 7,1    | M12    | M 9      | 1/2       |       | 1/2       |      |       |
| 11   | 10 x 8     |        | M10      |           | 3/8   |           | 3/8  |       |
| 43   | 11,2 x 9   | M 14   |          | 9/16      |       | 9/16      |      |       |
| 44   | 12,5 x 10  | M 16   |          | 5/8       |       | 5/8       |      |       |
| 45   | 14 x 11,2  | M 18   |          |           |       | 11/16     |      |       |
|      |            | M 20   |          | 3/4       |       | 3/4       |      |       |
| 46   | 16 x 12,5  | M 22   |          | 7/8       |       | 7/8       |      |       |
| 47   | 18 x 14    | M 24   |          | 1         |       | 1         |      |       |
| 17   | 20 x 16    | M 27   |          | 1.1/8     |       | 1.1/8     |      |       |
|      |            | M 30   |          |           |       |           |      |       |
| 48   | 22,4 x 18  | M 33   |          | 1.1/4     |       | 1.1/4     |      |       |
| 19   | 25 x 20    | M 36   |          | 1.3/8     |       | 1.3/8     |      |       |
| 49   | 28 x 22,4  | M 39   |          | 1.1/2     |       | 1.1/2     |      |       |
|      |            | M 42   |          |           |       | 1.5/8     |      |       |
| 50   | 31,5 x 25  | M 45   |          | 1.3/4     |       | 1.3/4     |      |       |
|      |            | M 48   |          |           |       |           |      |       |
| 51   | 35,45 x 28 | M 52   |          | 2         |       | 2         |      |       |
|      |            |        |          |           |       |           |      |       |



**KLEŠTINY DIN 6499 (ER) – TVAR MEXIN**  
s pojištěním čtyřhranu  
**COLLETS DIN 6499 - FORM MEXIN (ER)**  
with square locking drive

DIN 6499

80.498

**80.498.10 ER 16**

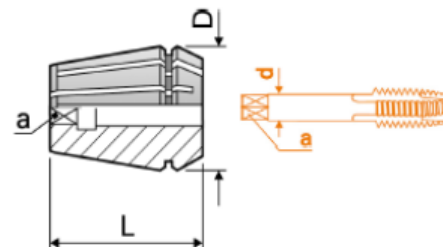
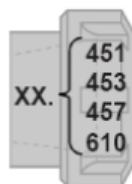
D = 17 mm L = 27,5 mm

| REF.         | d <sub>1</sub><br>mm |
|--------------|----------------------|
| 80.498.10.05 | 4,5 x 3,4            |
| 80.498.10.06 | 5,5 x 4,3            |
| 80.498.10.07 | 6 x 4,9              |
| 80.498.10.08 | 7 x 5,5              |

**80.498.13 ER 20**

D = 21 mm L = 31,5 mm

| REF.         | d <sub>1</sub><br>mm |
|--------------|----------------------|
| 80.498.13.05 | 4,5 x 3,4            |
| 80.498.13.06 | 5,5 x 4,3            |
| 80.498.13.07 | 6 x 4,9              |
| 80.498.13.08 | 7 x 5,5              |
| 80.498.13.09 | 8 x 6,2              |
| 80.498.13.10 | 9 x 7                |
| 80.498.13.11 | 10 x 8               |



**80.498.16 ER 25**

D = 26 mm L = 34 mm

| REF.         | d <sub>1</sub><br>mm |
|--------------|----------------------|
| 80.498.16.05 | 4,5 x 3,4            |
| 80.498.16.06 | 5,5 x 4,3            |
| 80.498.16.07 | 6 x 4,9              |
| 80.498.16.08 | 7 x 5,5              |
| 80.498.16.09 | 8 x 6,2              |
| 80.498.16.10 | 9 x 7                |
| 80.498.16.11 | 10 x 8               |
| 80.498.16.12 | 11 x 9               |
| 80.498.16.13 | 12 x 9               |

**80.498.20 ER 32**

D = 33 mm L = 40 mm

| REF.         | d <sub>1</sub><br>mm |
|--------------|----------------------|
| 80.498.20.05 | 4,5 x 3,4            |
| 80.498.20.06 | 5,5 x 4,3            |
| 80.498.20.07 | 6 x 4,9              |
| 80.498.20.08 | 7 x 5,5              |
| 80.498.20.09 | 8 x 6,2              |
| 80.498.20.10 | 9 x 7                |
| 80.498.20.11 | 10 x 8               |
| 80.498.20.12 | 11 x 9               |
| 80.498.20.13 | 12 x 9               |
| 80.498.20.14 | 14 x 11              |
| 80.498.20.15 | 16 x 12              |

**80.498.26 ER 40**

D = 41 mm L = 46 mm

| REF.         | d <sub>1</sub><br>mm |
|--------------|----------------------|
| 80.498.26.08 | 7 x 5,5              |
| 80.498.26.09 | 8 x 6,2              |
| 80.498.26.10 | 9 x 7                |
| 80.498.26.11 | 10 x 8               |
| 80.498.26.12 | 11 x 9               |
| 80.498.26.13 | 12 x 9               |
| 80.498.26.14 | 14 x 11              |
| 80.498.26.15 | 16 x 12              |
| 80.498.26.16 | 18 x 14,5            |
| 80.498.26.17 | 20 x 16              |

**80.498.34 ER 50**

D = 52 mm L = 60 mm

| REF.         | d <sub>1</sub><br>mm |
|--------------|----------------------|
| 80.498.34.13 | 12 x 9               |
| 80.498.34.14 | 14 x 11              |
| 80.498.34.15 | 16 x 12              |
| 80.498.34.16 | 18 x 14,5            |
| 80.498.34.17 | 20 x 16              |
| 80.498.34.18 | 22 x 18              |
| 80.498.34.19 | 25 x 20              |
| 80.498.34.20 | 28 x 22              |
| 80.498.34.21 | 32 x 24              |

